

APPLICATION:

JOB NAME:

QUANTITY: ITEM NO.

PRODUCT NAME:

WIDESPREAD DECK FAUCET

_____ SPECIAL CONFIGURATION
CHECK BASE MODEL AND OPTIONS

MODEL:

1902 W/ 12" RIGID GOOSENECK SPOUT

1778 W/ 6" RIGID GOOSENECK SPOUT

OPTIONS OR MODIFICATIONS:

SUPPLY LINES (24" OR 36") CIRCLE LENGTH

ADD-ON FAUCET (6", 8", 10", 12", 14", 16") CIRCLE

IN-LINE DUAL CHECK VALVE

HANDLES (CROSS OR WRIST) CIRCLE STYLE

VANDAL RESISTANT KIT

OTHER _____

FEATURES

CONTROL VALVE

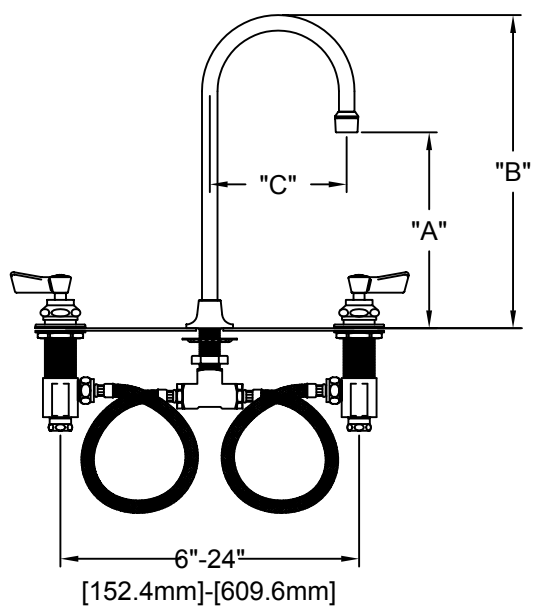
- * WIDESPREAD DECK ADJUST. FROM 6" TO 24"
- * SWIVELLING SEAT DISK
- * HOT SIDE STEM - RIGHT HAND
- * COLD SIDE STEM - LEFT HAND
- * STAINLESS STEEL SEAT
- * STAINLESS STEEL SEAT SCREW
- * STAINLESS STEEL HANDLE SCREW

SYSTEM LIMITS

- * TEMP: 40°F MIN. TO 140°F MAX.
- * PRESSURE: 200 PSI MAX. STATIC
- * 2.20 GPM AT 60 PSI

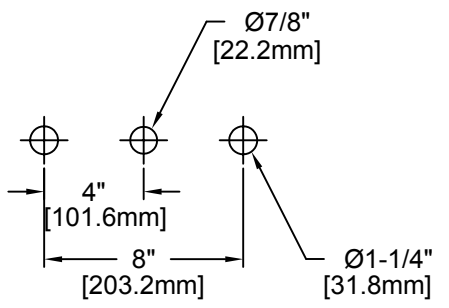
SHIPPING WEIGHT

- * 8.0 LBS



MODEL	DIM "A"	DIM "B"	DIM "C"
1902	8-3/16" [208.0mm]	12-5/16" [312.7mm]	5-1/2" [139.7mm]
1778	4-7/16" [112.7mm]	8-1/16" [204.8mm]	3-1/2" [88.9mm]

ROUGH-IN:



ANSI/A112.18.1M

FISHER

FISHER MANUFACTURING COMPANY

TOLL FREE: 800-421-6162 - FAX: 800-832-8238

information@fisher-mfg.com - www.fisher-mfg.com